

CEVA LCL (Less-than Container Load)

LCL SHORTSEA GREENROUTE

SHIP YOUR GOODS TO UK AND
GET OPTIMAL CUSTOMS SUPPORT.

OUR SERVICE FOR YOU: LCL CZECH TO UNITED KINGDOM

Use our weekly LCL SHORTSEA GREENROUTE service from Prague via Hamburg to Tilbury.

Shortsea transport is a secure and reliable alternative to truck loads from EU to UK and avoids the delays at the Calais-Dover gateway. We consolidate your shipments at our freight station in Prague and support you with all customs related requirements for your exports to UK.

Your goods will be preferred transported on LNG powered Vessels producing less CO2 emission than traditional marine fuel. With GREENROUTE we automatically offset the CO2 emission per cbm transported on this route.

- Weekly schedules from Prague to Tilbury
- Consolidation service in Prague
- Customs Brokerage service
- GREENROUTE with lesser CO2 emission and positive offset per cbm through sustainable projects

CEVA CUSTOMS CLEARANCE SERVICES

CEVA offers a full package of products to assist clients in mitigating against the potential challenges, delays and issues associated with moving cargo between the EU and UK after Brexit.

WEEKLY SCHEDULE

ROUTES	BOOKING CUT OFF	DOCS CUT OFF	CARGO CUT OFF	ETS	TRANSIT TIME/ PORT TO PORT
HAMBURG TO TILBURY	MONDAY	MONDAY	MONDAY	WEDNESDAY	3 DAYS



CONTACT US

Petr.Nemec@Cevalogistics.com

CONTAINER SHARING

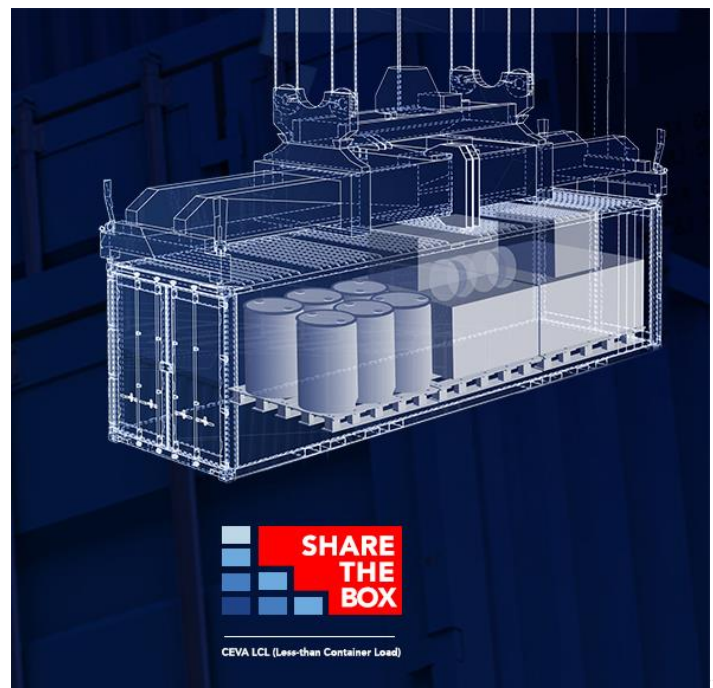
FLEXIBLE, COSTS EFFECTIVE SOLUTIONS FOR YOUR SMALLER SHIPMENT VOLUMES

SHARE THE BOX?

Share the Box is a **LESS THAN CONTAINER LOAD** solution that's ideal whatever you need to move, wherever you need to move it.

We utilize ALL available container space and give you access to many benefits including:

- ✓ **reduced shipping rates**, as you pay only for what you need and use.
- ✓ **faster and flexible shipping** services, as your product moves across our fully integrated global network.
- ✓ access to extended services including multiple destination drop offs, customs clearance, CEVA consolidation Freight Stations and our Ground network.



ADDED VALUE

- A cost-efficient alternative to Air freight.
- More flexibility of commodity flow.
- Faster delivery of smaller shipping volumes.
- Lean inventory and steady shipment flows.
- More time to organize your delivery slots.
- No return management containers.
- Optimize your cashflow.
- An easier split of your shipment for different destinations.

PROFIT FROM OUR NETWORK

- A Global Network with over 1000 locations to have your LCL experts close to your business.
- Service Portfolio of more than 10,000 port pairs to support where your suppliers are located.
- Organization of competent LCL professionals to ensure a stable flow of your commodities.
- Full track and trace capabilities so you always know where your shipments are.

CONTACT US

Petr.Nemec@Cevalogistics.com